

MYRIAD CONTACTORS – SPARE PARTS UPDATE

ENHANCED RELIABILITY | DIRECT REPLACEMENT | SIMPLIFIED WIRING

At **Myriad**, we are committed to improving the durability and efficiency of refrigeration system components. As part of our **continuous upgrade initiative**, **electronic contactors** are now replacing **magnetic contactors** in both **manufacturing and service spare parts**.

ELECTRONIC CONTACTORS – DIRECT REPLACEMENT FOR MAGNETIC CONTACTORS

Contactor Description	Old Magnetic Contactor P/N	New Electronic Contactor P/N
C30 Contactor (Right Auxiliary)	10-00433-00	10-00503-31
C30 Contactor (Left Auxiliary)	10-00433-06	10-00503-32
C30 Contactor (Right Auxiliary + T1, T2, T3 Terminals at Top) <i>(Genesis Units & Pre-2009 Supra MT)</i>	10-00433-07	10-00503-31
C7 Contactor (Right Auxiliary)	10-00433-05	10-00503-41

WHY SWITCH TO ELECTRONIC CONTACTORS?

- Higher Reliability – Eliminates mechanical wear issues found in magnetic contactors
- Simplified Wiring – No auxiliary black wires needed
- Polarity-Sensitive – Requires proper positive (+12V) and ground connections
- No More B1 Terminal – New electronic design improves efficiency

IMPORTANT INSTALLATION NOTES

Wiring Change from Magnetic to Electronic Contactors

- ⚠ Old Magnetic Contactors had a B1 terminal for the starting coil.
 - A black auxiliary wire previously connected B1 to the bottom auxiliary terminal.
 - A separate wire connected A1 to the top auxiliary terminal.

With Electronic Contactors, these black wires are no longer needed and should be discarded.

What’s Different in Electronic Contactors?

- **No B1 Terminal** – Simplifies the wiring process
- **No Top/Bottom Auxiliary Terminals** – Eliminates the need for extra wiring
- **Polarity-Sensitive Design** – Ensure correct +12V and Ground connections



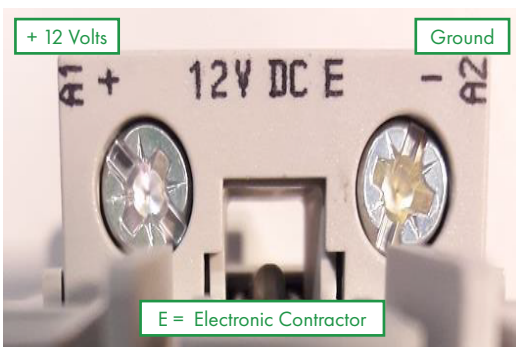
CORRECT WIRING FOR NEW ELECTRONIC CONTACTORS

Electronic contactors must be wired with correct polarity. Unlike magnetic contactors, which allowed interchangeable positive/negative connections, the new electronic versions require precise wiring.

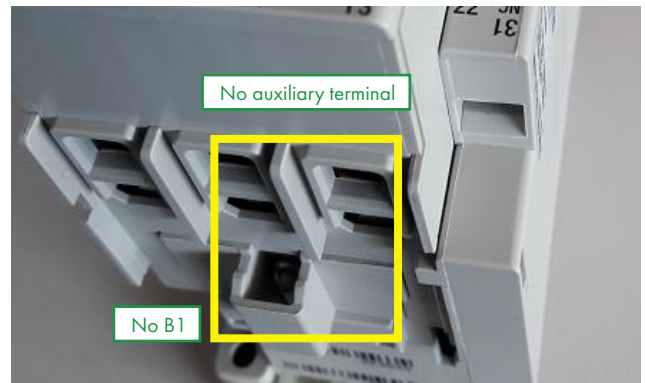
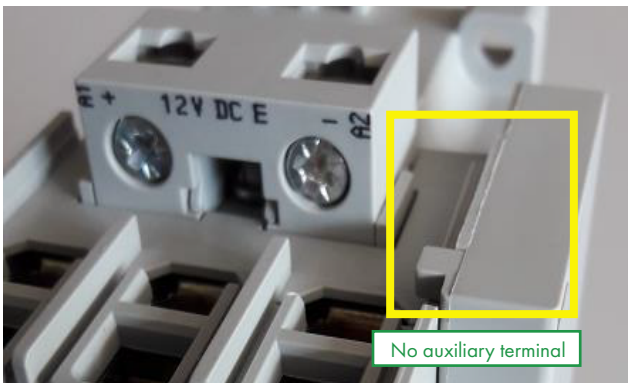
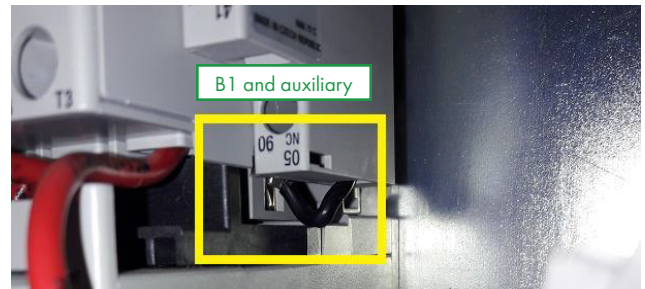
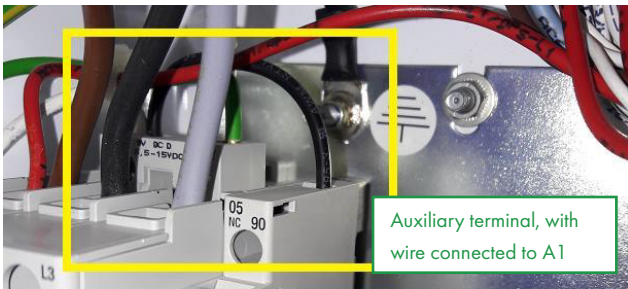
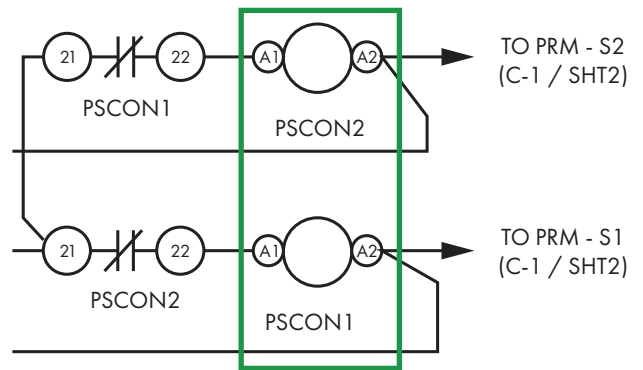
Polarity on C30 Contactor & Electrical Diagram:

- E = Electronic Contactor
- +12V (Positive) → Correct Terminal
- Ground → Correct Terminal

POLARITY ON C30 CONTACTOR



POLARITY ON ELECTRICAL DIAGRAM



For technical support, contact Myriad today!

© Myriad Parts 2025. All Rights Reserved.

✉ info@myriadparts.com



www.myriadparts.com

**WE STOCK IT.
YOU GET IT.**

WWW.MYRIADPARTS.COM