

VECTOR® 1950 ST & MT – INTRODUCTION OF NEW ELECTRONIC CONTACTORS

ENHANCED RELIABILITY | SIMPLIFIED WIRING | DIRECT REPLACEMENT


At **Myriad**, we are committed to **innovation and system reliability**. To improve efficiency and durability, new electronic contactors have been introduced in the **Vector 1950 ST & MT** refrigeration units, replacing traditional magnetic contactors.

KEY ENHANCEMENTS

- Electronic Contactors Replace Magnetic Contactors – Reducing failure rates and improving longevity
- No Contactor Relays Required – Simplified wiring for easier installation
- Polarity-Sensitive Wiring – Ensure correct positive/ground connections (no more interchangeable wiring)
- Auxiliary Wires No Longer Needed – Old black auxiliary wires should be discarded

UNITS AFFECTED – SERIAL NUMBER CUTOFF FOR NEW CONTACTORS

Vector 1950 Model	Serial Number From
Vector 1950	RC743049
Vector 1950 MT 2CP	RC723002
Vector 1950 MT 2CP City	RC724157
Vector 1950 MT 3CP	RC742091
Vector 1950 MT 3CP City	RC737156

 **Important:** Units produced **before these serial numbers** still use magnetic contactors and require contactor command relays for proper operation.

NEW CONTACTOR WIRING GUIDELINES

Unlike older magnetic contactors, new electronic contactors are polarity-sensitive.

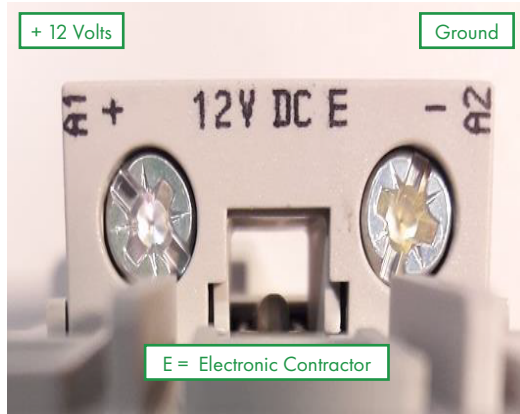
- Connect positive (+12V) and ground as marked on the new contactor.
- Incorrect wiring may cause system failure.



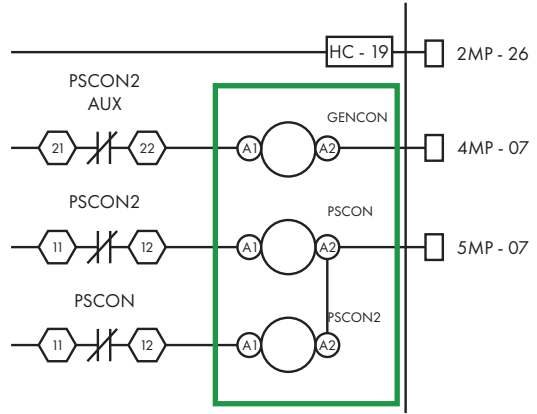
Polarity on New Electronic Contactors:

- C30 Contactor (Electronic Type) – Ensure Correct Positive & Ground Connection

POLARITY ON C30 CONTACTOR



POLARITY ON ELECTRICAL DIAGRAM



REPLACEMENT PARTS – ELECTRONIC CONTACTORS

Old Contactor Type	Old P/N	New Electronic Contactor P/N
Magnetic (No Auxiliary)	N/A	10-00503-30
Magnetic (Auxiliary Right)	10-00433-00	10-00503-31
Magnetic (Auxiliary Left)	10-00433-06	10-00503-32

! Caution: Older magnetic contactors (P/N 10-00433-00 & 10-00433-06) cannot be used in units produced after the serial number change.

! For pre-changeover units: If installing a new electronic contactor, do not remove contactor command relays (PSCONR, GENCONR, CCONR, HTCON1R)—they are required for operation.

UPDATED CONTROL BOX & ELECTRICAL DIAGRAM P/N'S

The introduction of electronic contactors has led to **part number changes** for control boxes and electrical diagrams:

Vector 1950 Model	New Control Box P/N	New Electrical Diagram P/N
Vector 1950	91-60372-10	62-61693-01
Vector 1950 MT 2CP	91-60372-20	62-61686-02
Vector 1950 MT 3CP	91-60372-30	62-61686-02
Vector 1950 MT 2CP City	91-60372-21	62-61697-02
Vector 1950 MT 3CP City	91-60372-31	62-61697-02



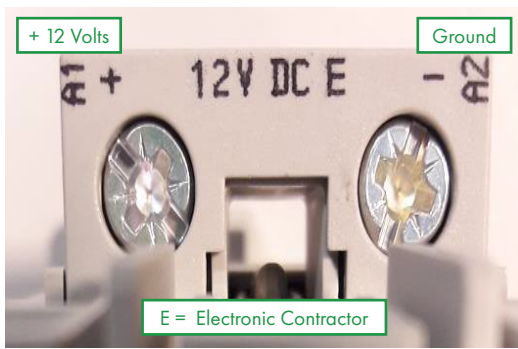
VECTOR 1350 – NEW ELECTRONIC CONTACTORS

Electronic contactors are also being introduced in **Vector 1350 AR3P (Phase Reversal)** and **DPH (Phase Detector)** units.

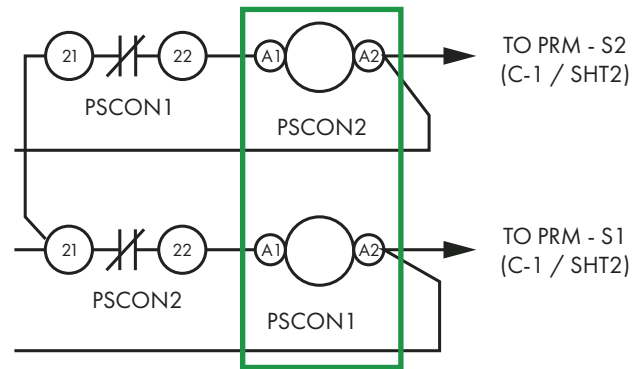
Vector 1350 Model	Serial Number From	Model Year
Vector 1350 AR3P	AC84007	AC838029M
Vector 1350 DPH	To Be Advised	To Be Advised

! Similar to Vector 1950, these new contactors are polarity-sensitive. Ensure correct positive/ground wiring.

POLARITY ON C30 CONTACTOR



POLARITY ON WIRING DIAGRAM



REPLACEMENT PARTS FOR VECTOR 1350

Old Contactor P/N	New Electronic Contactor P/N	Application
10-00433-06	10-00503-32	Auxiliary on Left (PSCON1)
10-00433-00	10-00503-31	Auxiliary on Right (PSCON2 - AR3P Only)
10-00433-06	10-00503-30	No Auxiliary (SBMCON)

! The PSCON2 contactor is only used on Vector 1350 AR3P units and is not present in Vector 1350 DPH units.

! SBMCON standby motor contactor no longer requires an auxiliary connection, as internal wiring handles this function.

For technical support or replacement parts, contact Myriad today!

